

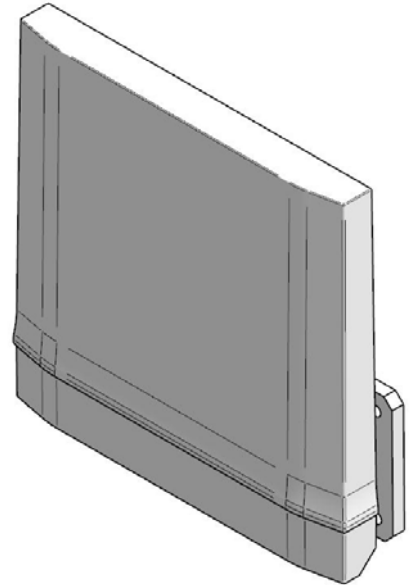
WIMAX Patch Antenna

2500~2700 MHz / 12 dBi



WM-PAS-12

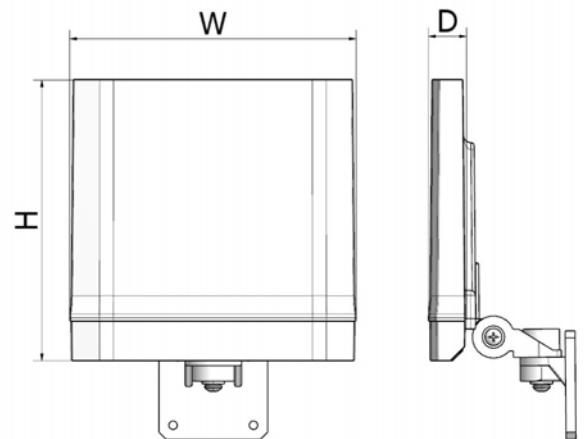
i. Electrical Specification

Frequency Range	2500~2700 MHz	
Polarization	Vertical	
Band Width	200 MHz	
Gain	≥ 12 dBi	
Beam width	Horizontal	≥ Nominal 30°
	Vertical	≥ Nominal 30°
F-B ratio	≥ 15dB	
VSWR	1 : 1.4	
Impedance	50 Ω	
Maximum input power	100 W	

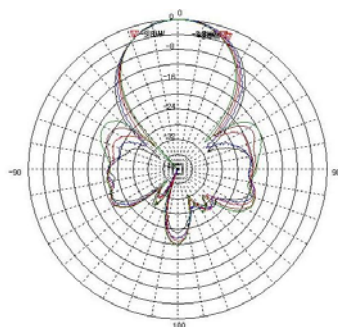


ii. Mechanical Specification

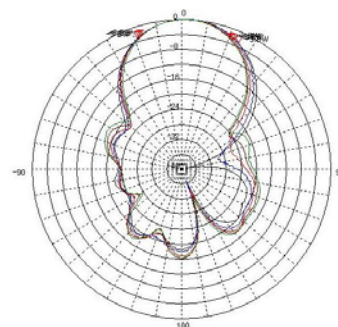
Radom Dimension (H x W x D)	200 x 200 x 35 mm	
Weight (Include bracket)	≤ 1kg	
Connector Type	N-Female or SMA-Female	
Withstand Wind Pressure	60 m/sec	
Radome Material	ABS, ASA	
Radome Color		
	Cool Gray 1C	Cool Gray 4C
Mechanical Down Tilt	Up, Down ± 25°	
	Left, Right ± 30°	
Temperature	-40 °C ~ 70 °C	
Packing Size (H x W x D) 10SET	-	
Packing Weight 10SET	-	



iii. Radiation Pattern



Horizontal Pattern



Vertical Pattern